



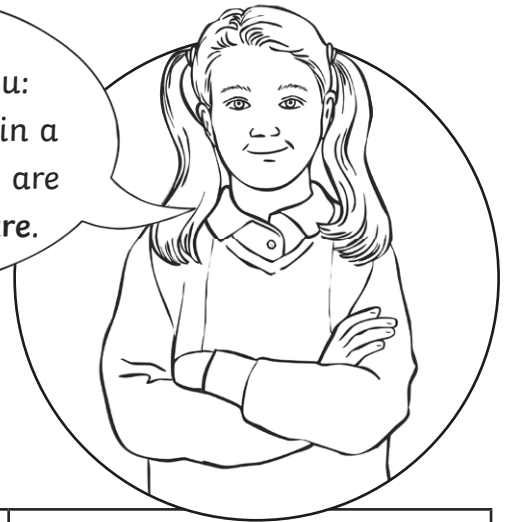
# Paperclip Chains

To multiply and divide numbers by 10, 100 and 1000 to convert units of measurement.



The children in Class 2 at Twinkl Primary School have made paperclip chains. They want to know which one is the longest, but they all used different units when they measured them.

Use these facts to help you:  
There are **10mm** in a **centimetre**. There are **100cm** in a **metre**.

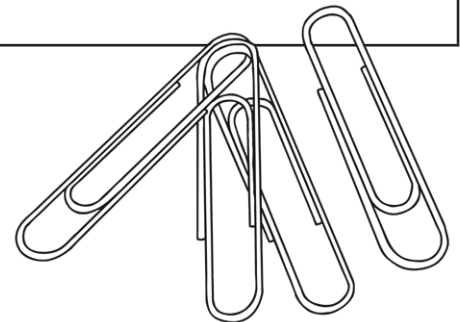


- 1) Can you convert all the paperclip chains into centimetres by multiplying or dividing by 10, 100 or 1000?

Name	Chain Length	Chain Length in Centimetres
Robert	200mm	
Emma	2.45m	
Connie	740cm	
Sofie	1539mm	
Lucia	1.76m	
Paul	1328.9mm	
Elizabeth	1.00m	
Ffion	8402mm	
Anika	182cm	
Harvey	2.54m	

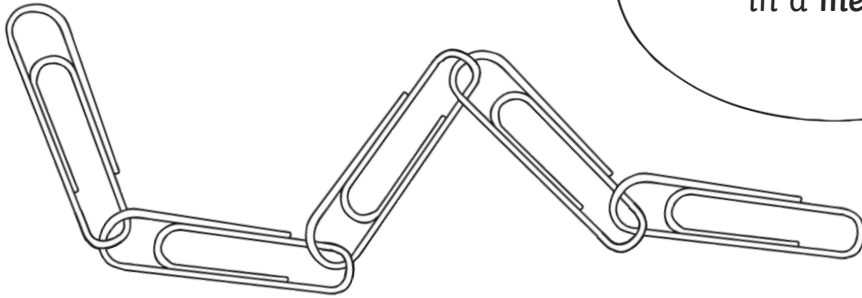
Who made the longest chain? \_\_\_\_\_

Who made the shortest chain? \_\_\_\_\_





2) Complete this table to convert these paperclip chain lengths into metres or millimetres.



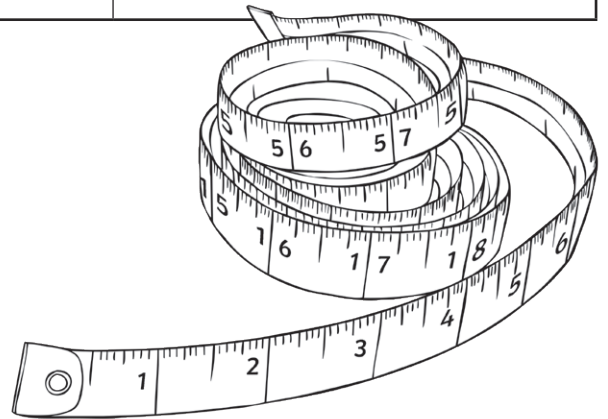
There are **1000mm** in a metre.



Name	Chain Length in Millimetres	Chain Length in Metres
Olga	4739mm	
Peter		3.42m
Nabeel	21 074mm	
Meena		2.22m
Holly	10 203mm	

Who made the longest chain? \_\_\_\_\_

Who made the shortest chain? \_\_\_\_\_





# Paperclip Chains

To multiply and divide numbers by 10, 100 and 1000 to convert units of measurement.



The children in Class 2 at Twinkl Primary School have made paperclip chains. They want to know which one is the longest, but they all used different units when they measured them.

There are \_\_\_\_ mm in a centimetre. There are \_\_\_\_ cm in a metre.

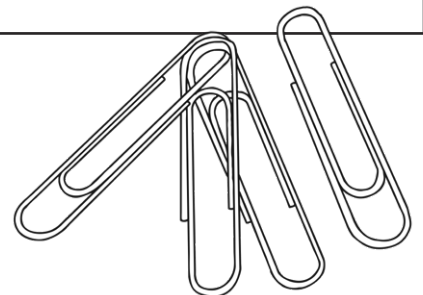


- 1) Can you convert all the paperclip chains into centimetres by multiplying or dividing by 10, 100 or 1000? Complete these facts and use them to help you:

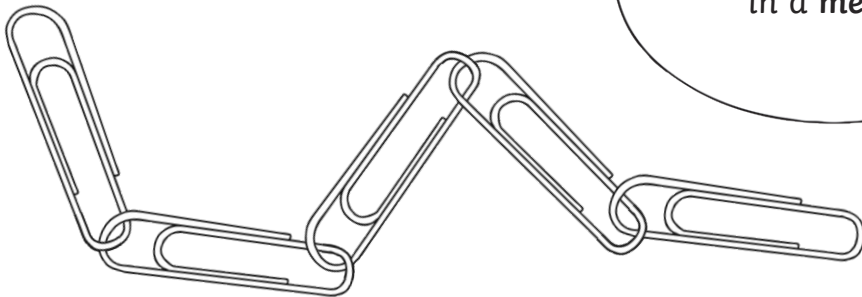
Name	Chain Length	Chain Length in Centimetres
Robert	2040mm	
Emma	3.456m	
Connie	mm	760cm
Sofie	123.9mm	
Lucia	2.76m	
Paul	1432.9mm	
Elizabeth	4.01m	
Ffion	3932mm	
Anika	m	192cm
Harvey	2.04m	

Who made the longest chain? \_\_\_\_\_

Who made the shortest chain? \_\_\_\_\_



2) Complete this table to convert these paperclip chain lengths into metres or millimetres.



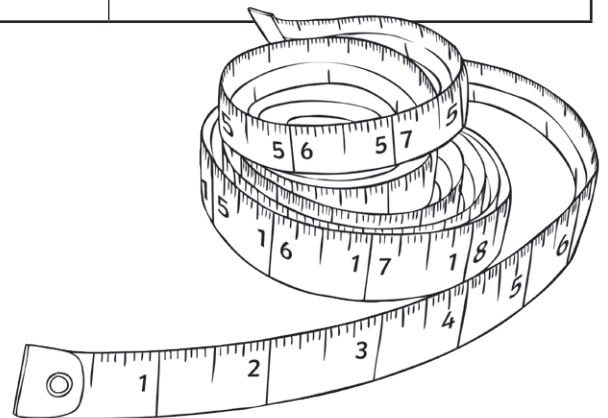
There are \_\_\_\_ mm  
in a metre.



Name	Chain Length in Millimetres	Chain Length in Metres
Olga	26 439mm	
Peter		13.54m
Nabeel	321 074mm	
Meena		21.22m
Holly	10 223mm	

Who made the longest chain? \_\_\_\_\_

Who made the shortest chain? \_\_\_\_\_





# Paperclip Chains

To multiply and divide numbers by 10, 100 and 1000 to convert units of measurement.



The children in Class 2 at Twinkl Primary School have made paperclip chains. They want to know which one is the longest, but they all used different units when they measured them.

There are \_\_\_\_ mm in a centimetre. There are \_\_\_\_ cm in a metre. There are \_\_\_\_ mm in a metre.

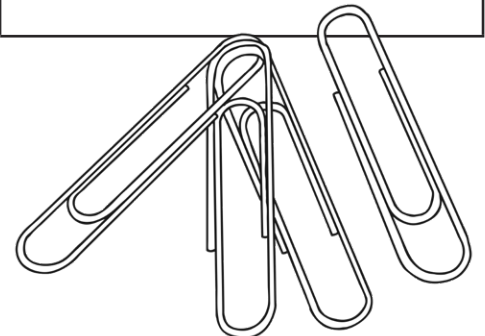


- 1) Can you convert all the paperclip chains into centimetres by multiplying or dividing by 10, 100 or 1000? Complete these facts and use them to help you:

Name	Chain Length	Chain Length in Centimetres
Robert	5140mm	
Emma	22.456m	
Connie	mm	7620cm
Sofie	5623.99mm	
Lucia	22.761m	
Paul	14 532.02mm	
Elizabeth	4.012m	
Ffion	10 932mm	
Anika	m	19.26cm
Harvey	31.04m	

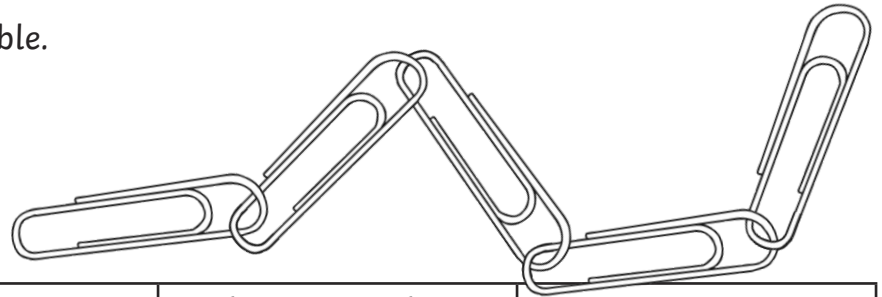
Who made the longest chain? \_\_\_\_\_

Who made the shortest chain? \_\_\_\_\_

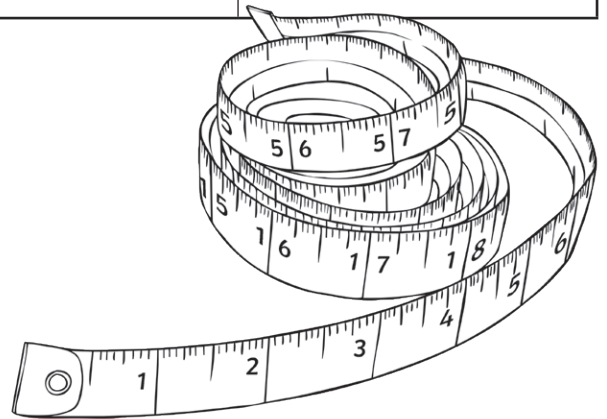




2) Complete this conversion table.



Name	Chain Length in Millimetres	Chain Length in Centimetres	Chain Length in Metres
Olga	26 439mm		
Peter			13.54m
Nabeel	321 074mm		321.074m
Meena		2122cm	21.22m
Holly	10 223mm		





# Paperclip Chains Answers

Question	Answer		
<b>1.</b>	Can you convert all the paperclip chains into centimetres by multiplying or dividing by 10, 100 or 1000?		
	<b>Name</b>	<b>Chain Length</b>	<b>Chain Length in Centimetres</b>
	Robert	200mm	<b>20cm</b>
	Emma	2.45m	<b>245cm</b>
	Connie	740cm	<b>740cm</b>
	Sofie	1539mm	<b>153.9cm</b>
	Lucia	1.76m	<b>176cm</b>
	Paul	1328.9mm	<b>132.89cm</b>
	Elizabeth	1.00m	<b>100cm</b>
	Ffion	8402mm	<b>840.2cm</b>
	Anika	182cm	<b>182cm</b>
	Harvey	2.54m	<b>254cm</b>
	Who made the longest chain? <b>Ffion</b> Who made the shortest chain? <b>Robert</b>		
<b>2.</b>	Complete this table to convert these paperclip chain lengths into metres or millimetres.		
	<b>Name</b>	<b>Chain Length in Millimetres</b>	<b>Chain Length in Metres</b>
	Olga	4739mm	<b>4.739m</b>
	Peter	<b>3420mm</b>	3.42m
	Nabeel	21 074mm	<b>21.074m</b>
	Meena	<b>2220mm</b>	2.22m
	Holly	10 203mm	<b>10.203m</b>
	Who made the longest chain? <b>Nabeel</b> Who made the shortest chain? <b>Meena</b>		



# Paperclip Chains Answers

Question	Answer		
1.	Can you convert all the paperclip chains into centimetres by multiplying or dividing by 10, 100 or 1000? Complete these facts and use them to help you:		
	There are <b>10</b> mm in a centimetre. There are <b>100</b> cm in a metre.		
	<b>Name</b>	<b>Chain Length</b>	<b>Chain Length in Centimetres</b>
	Robert	2040mm	<b>204cm</b>
	Emma	3.456m	<b>345.6cm</b>
	Connie	<b>7600mm</b>	760cm
	Sofie	123.9mm	<b>12.39cm</b>
	Lucia	2.76m	<b>276cm</b>
	Paul	1432.9mm	<b>143.29cm</b>
	Elizabeth	4.01m	<b>401cm</b>
	Ffion	3932mm	<b>393.20cm</b>
	Anika	<b>1.92m</b>	192cm
	Harvey	2.04m	<b>204cm</b>
	Who made the longest chain? <b>Ffion</b> Who made the shortest chain? <b>Anika</b>		
2.	Complete this table to convert these paperclip chain lengths into metres or millimetres.		
	There are <b>1000</b> mm in a metre.		
	<b>Name</b>	<b>Chain Length in Millimetres</b>	<b>Chain Length in Metres</b>
	Olga	26 439mm	<b>26.439m</b>
	Peter	<b>13 540mm</b>	13.54m
	Nabeel	321 074mm	<b>321.074m</b>
	Meena	<b>21 220mm</b>	21.22m
	Holly	10 223mm	<b>10.223m</b>
	Who made the longest chain? <b>Nabeel</b> Who made the shortest chain? <b>Holly</b>		





# Paperclip Chains Answers

Question	Answer			
1.	Can you convert all the paperclip chains into centimetres by multiplying or dividing by 10, 100 or 1000? Complete these facts and use them to help you:			
	There are <b>10</b> mm in a centimetre. There are <b>100</b> cm in a metre. There are <b>1000</b> mm in a metre.			
	<b>Name</b>	<b>Chain Length</b>	<b>Chain Length in Centimetres</b>	
	Robert	5140mm	<b>514cm</b>	
	Emma	22.456m	<b>2245.6cm</b>	
	Connie	<b>76 200</b> mm	7620cm	
	Sofie	5623.99mm	<b>562.399cm</b>	
	Lucia	22.761m	<b>2276.1cm</b>	
	Paul	14 532.02mm	<b>1453.202cm</b>	
	Elizabeth	4.012m	<b>401.2cm</b>	
	Ffion	10 932mm	<b>1093.2cm</b>	
	Anika	<b>0.1926</b> m	19.26cm	
	Harvey	31.04m	<b>3104cm</b>	
	Who made the longest chain? <b>Connie</b> Who made the shortest chain? <b>Anika</b>			
2.	Complete this conversion table.			
	<b>Name</b>	<b>Chain Length in Millimetres</b>	<b>Chain Length in Centimetres</b>	<b>Chain Length in Metres</b>
	Olga	26 439mm	<b>2643.9cm</b>	<b>26.439m</b>
	Peter	<b>13 540mm</b>	<b>1354cm</b>	13.54m
	Nabeel	321 074mm	<b>32 107.4cm</b>	<b>321.074m</b>
	Meena	<b>21 220mm</b>	2122cm	21.22m
	Holly	10 223mm	<b>1022.3cm</b>	<b>10.223m</b>